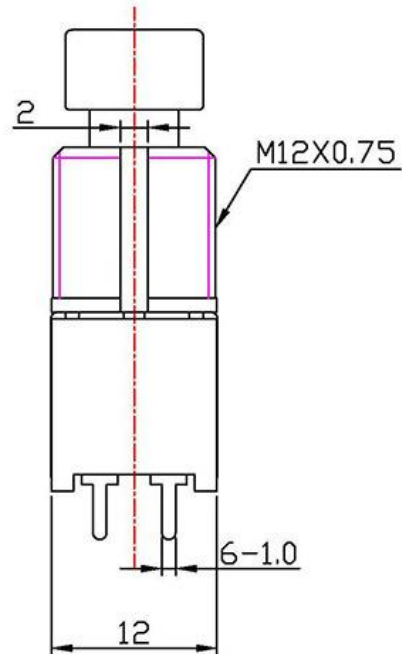
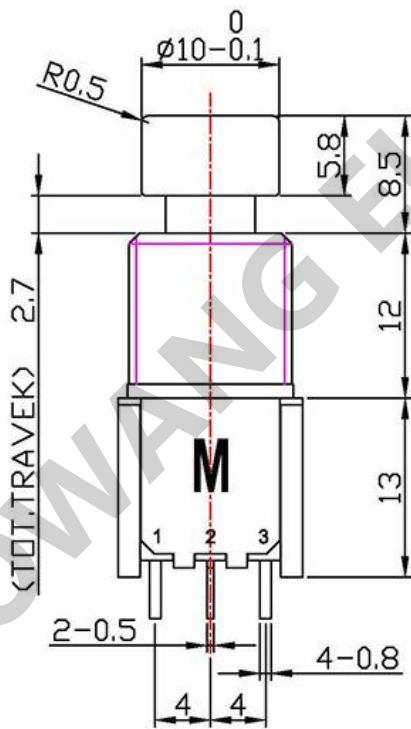


PUSH
1-2 ON

FREE
2-3 ON



			惠州市弘旺电子有限公司 HUIZHOU HOWANG ELECTRONICS CO., LTD			
MTL		SPEC		DISPOSAL		
△5				UNIT	SCALE	TITLE:
△4				MM	2 / 1	DB12P-0202 Series
△3			DRAWN	DESIGN	CHECK	APPROVAL
△2			谭超	王平	张琪	
△1						DWG NO.:
DEVISION	DATE	DESIGN				F-12P-02-20