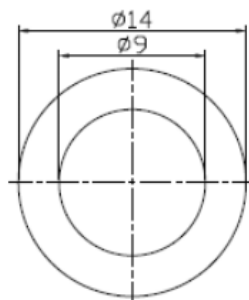
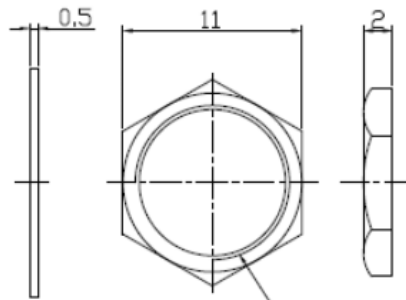


● 表示重点管控尺寸  
● Key control dimensions



WASHR 1pcs



NUT 1pcs

|  |             |                          |
|--|-------------|--------------------------|
| 惠州市弘旺电子有限公司<br>HUIZHOU HOWANG ELECTRONICS CO., LTD |             |                          |
| MTL  | SPEC        | DISPOSAL                 |
| △5   |             | UNIT<br>MM               |
| △4   |             | SCALE<br>2 / 1           |
| △3   |             | TITLE:<br>DB-EC12 Series |
| △2   | DRAWN<br>谭超 | DESIGN<br>李弘             |
| △1   |             | CHECK<br>张琪              |
| DEVISION   | DATE        | DESIGN                   |
|  |             | DWG NO.:<br>F-EC12-05-27 |