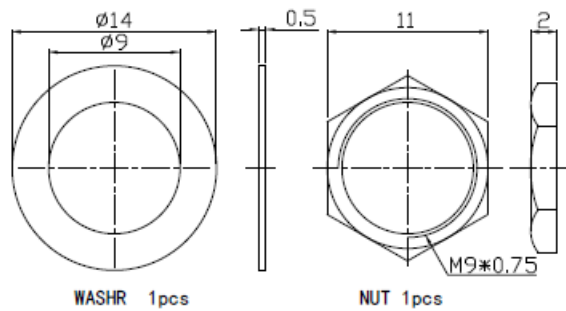


Terminal View: b

P. C. B. MOUNTING DETAIL



● 表示重点管控尺寸  
● Key control dimensions

惠州市弘旺电子有限公司 HUIZHOU HOWANG ELECTRONICS CO., LTD		
MTL	SPEC	DISPOSAL
△5		UNIT MM
△4		SCALE 2 / 1
△3		TITLE: DB-EC16 Series
△2		DWG NAME: DB- EC16
△1		DWG NO.: F-EC16-05-27
DEVISION	DATE	DESIGN
		DRAWN 谭超
		DESIGN 李弘
		CHECK 张琪
		APPROVAL