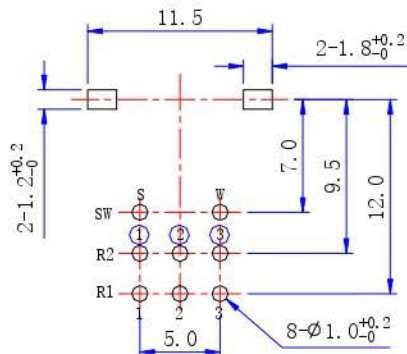
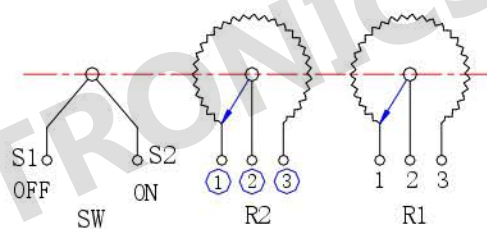


SHAFT SHOWN IN FULL
C. C. W. POSITION

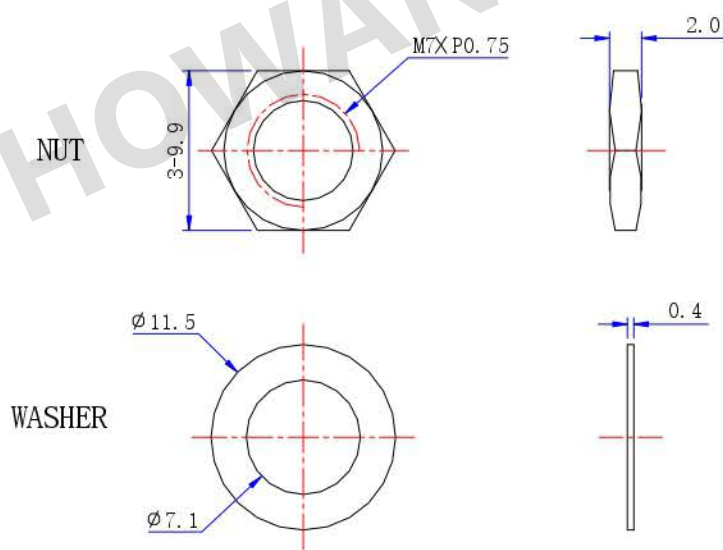


P. C. B MOUNTING
HOLE DETAIL



CIRCUIT: GS

ACCESSORIES



L	W	F
10	5	4
12	5	5
12.5	5	7
13	5	7
15	5	7
15	7	7
18	7	10
20	5	12
25	5	12

惠州市弘旺电子有限公司

③		
②		
①		
. ISSU.	DATE	REVISION

MODEL	RV0972GS-M7L□-FC	VERSION	A	TOL. UNLESS OTHRWISE SPEC	
DRAWING NO	CPT-0972-034	SCALE	1:1	L ≤ 10	±0.3
APPROVAL	CHECK	DRAWN	UNIT	10 < L	±0.5
				100 ≤ L	±0.8
				ANGULAR	±5°