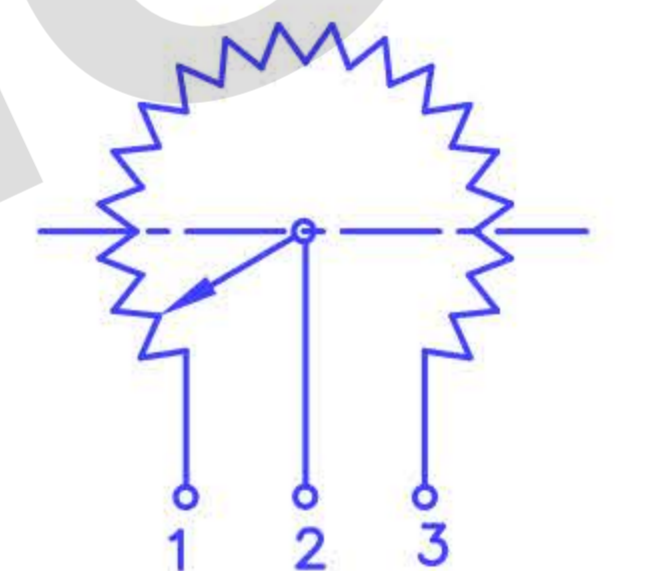
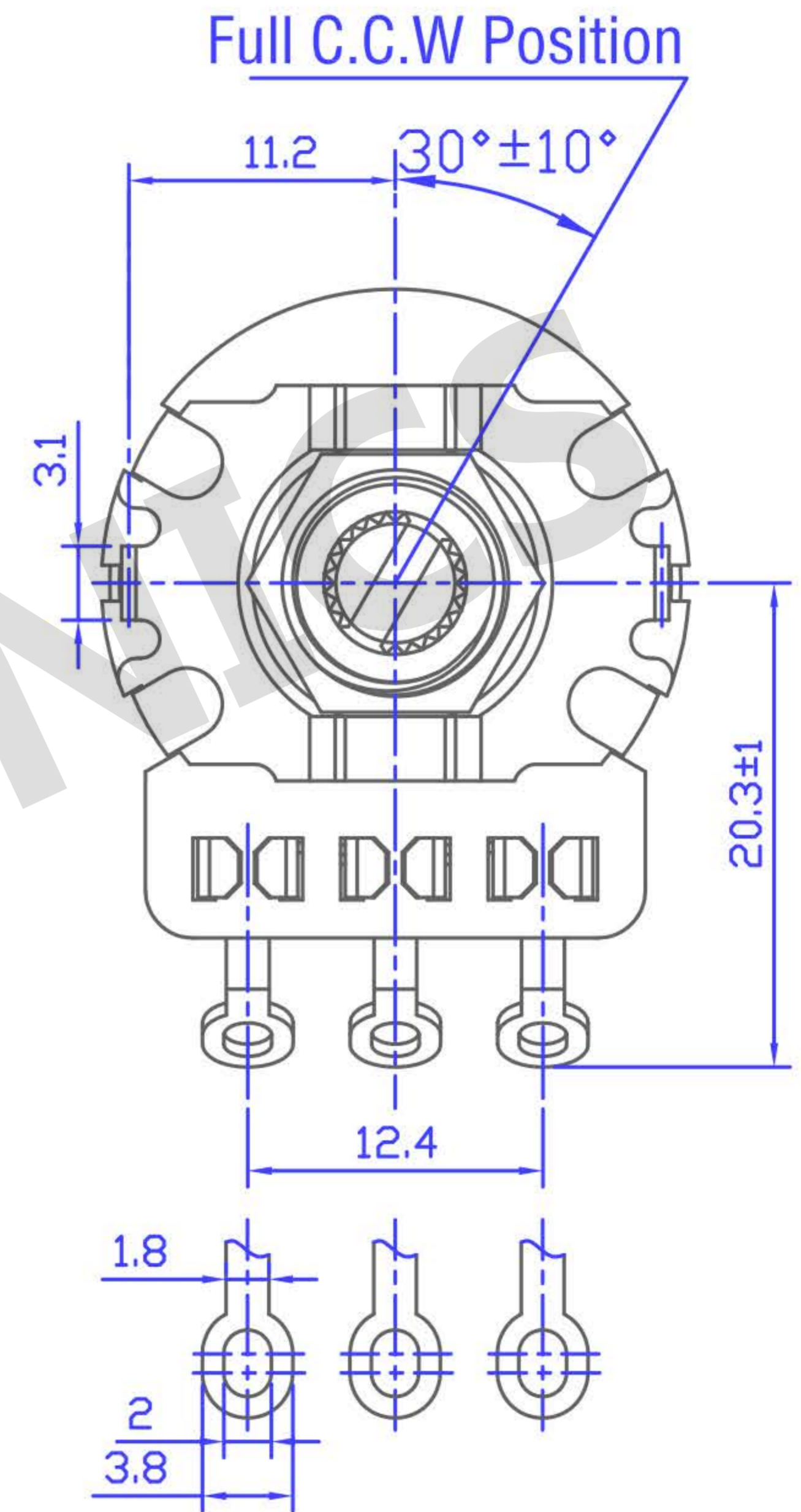
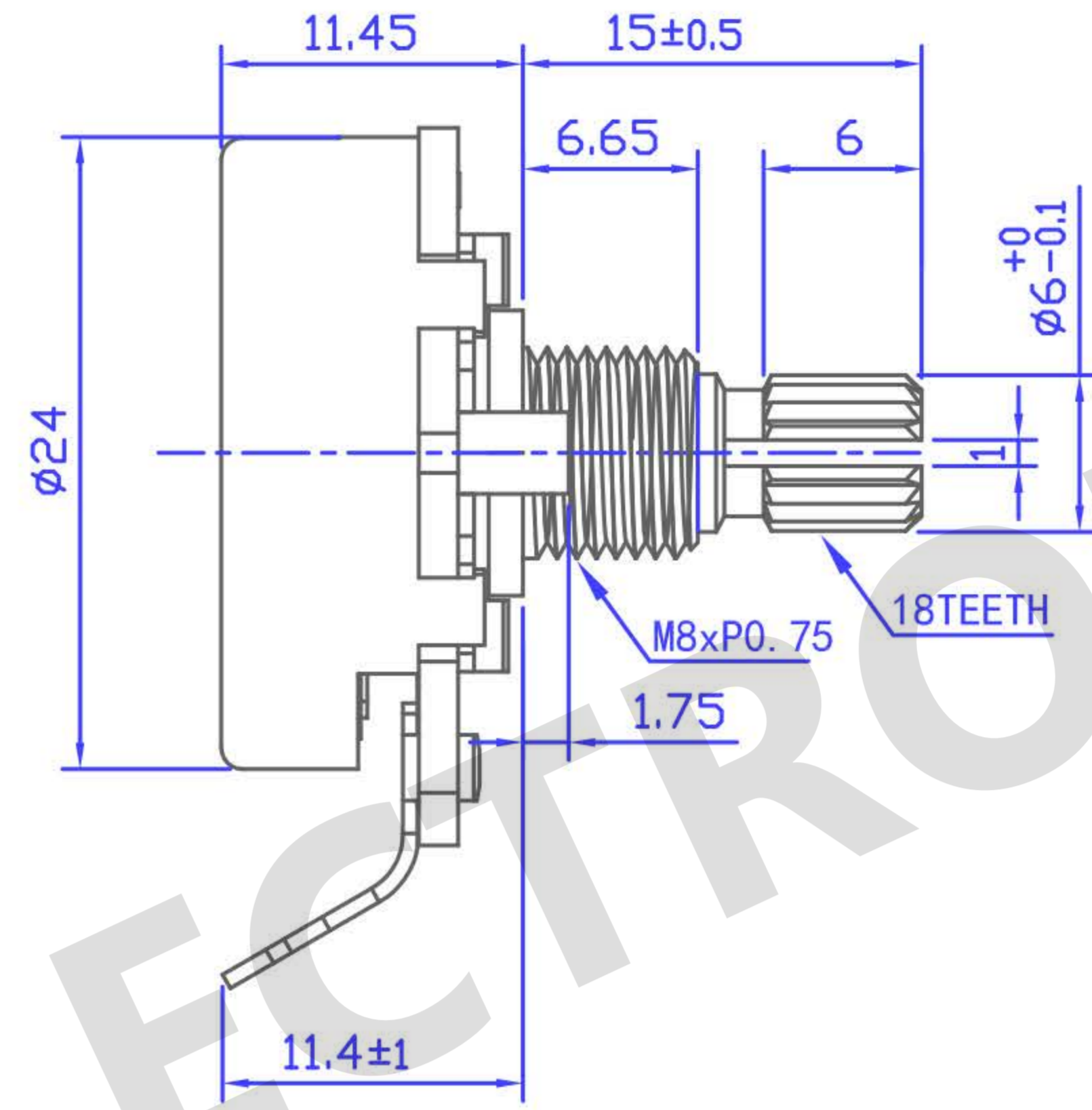
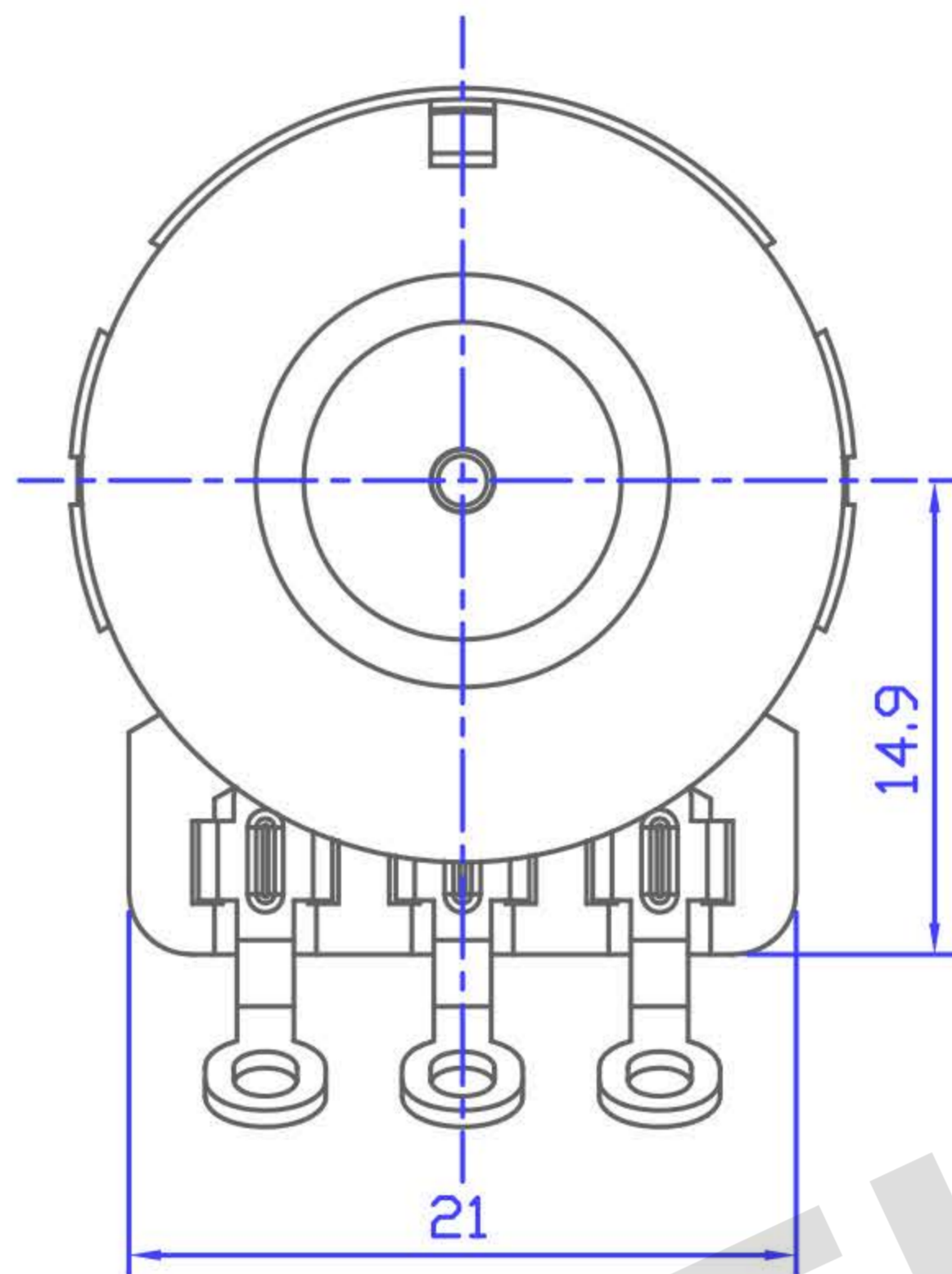
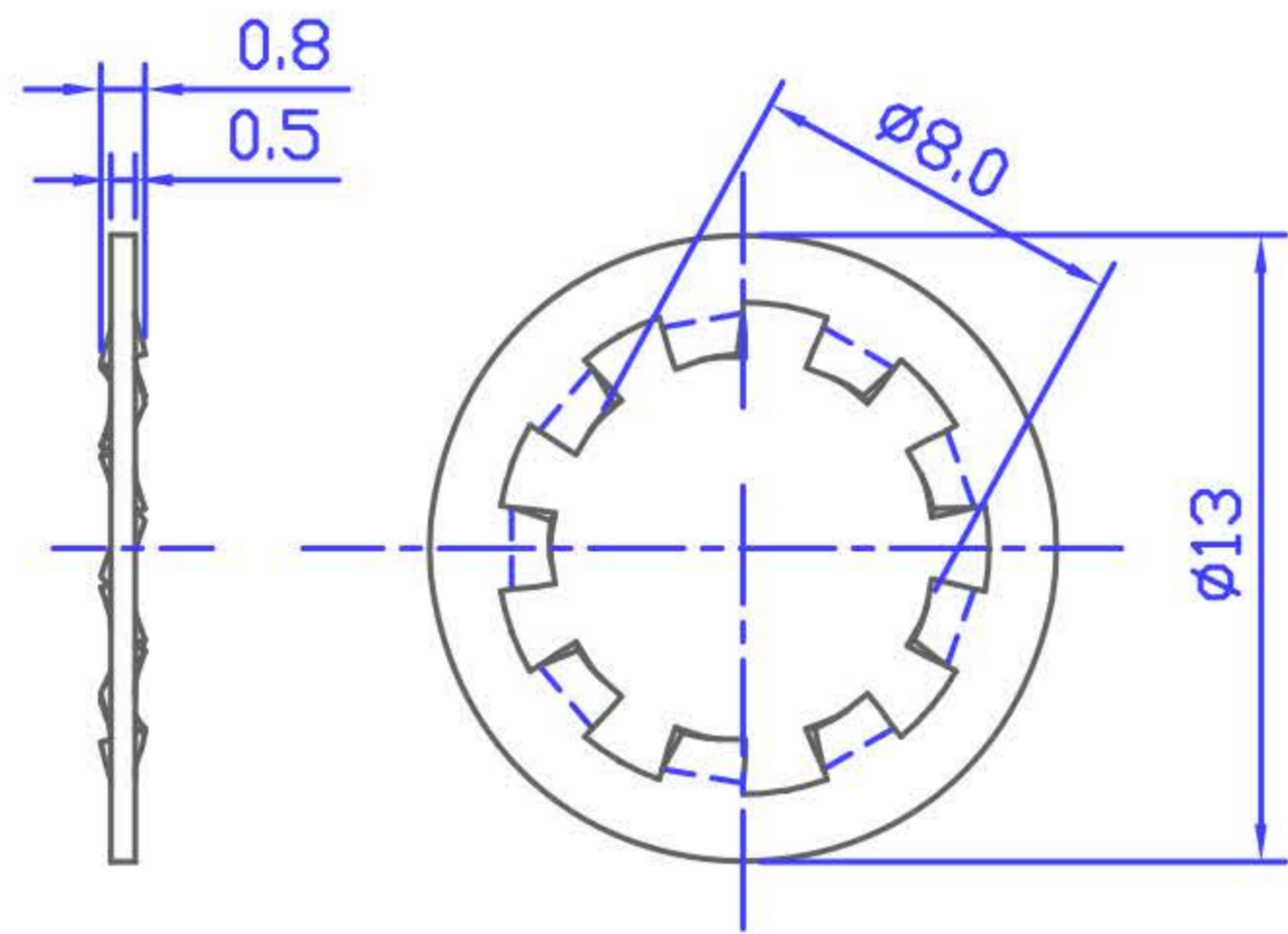


选购件：内齿垫片

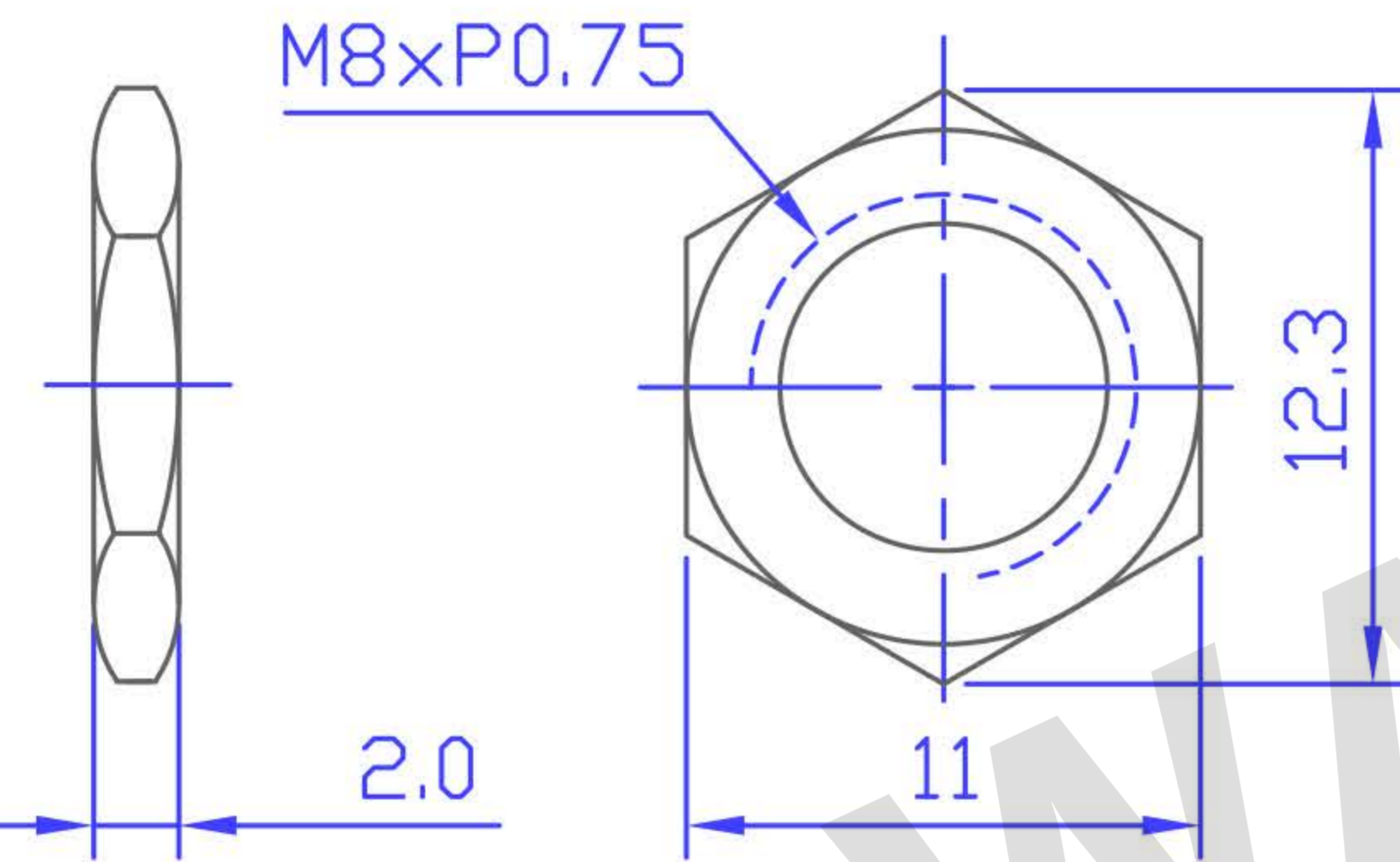


CIRCUIT

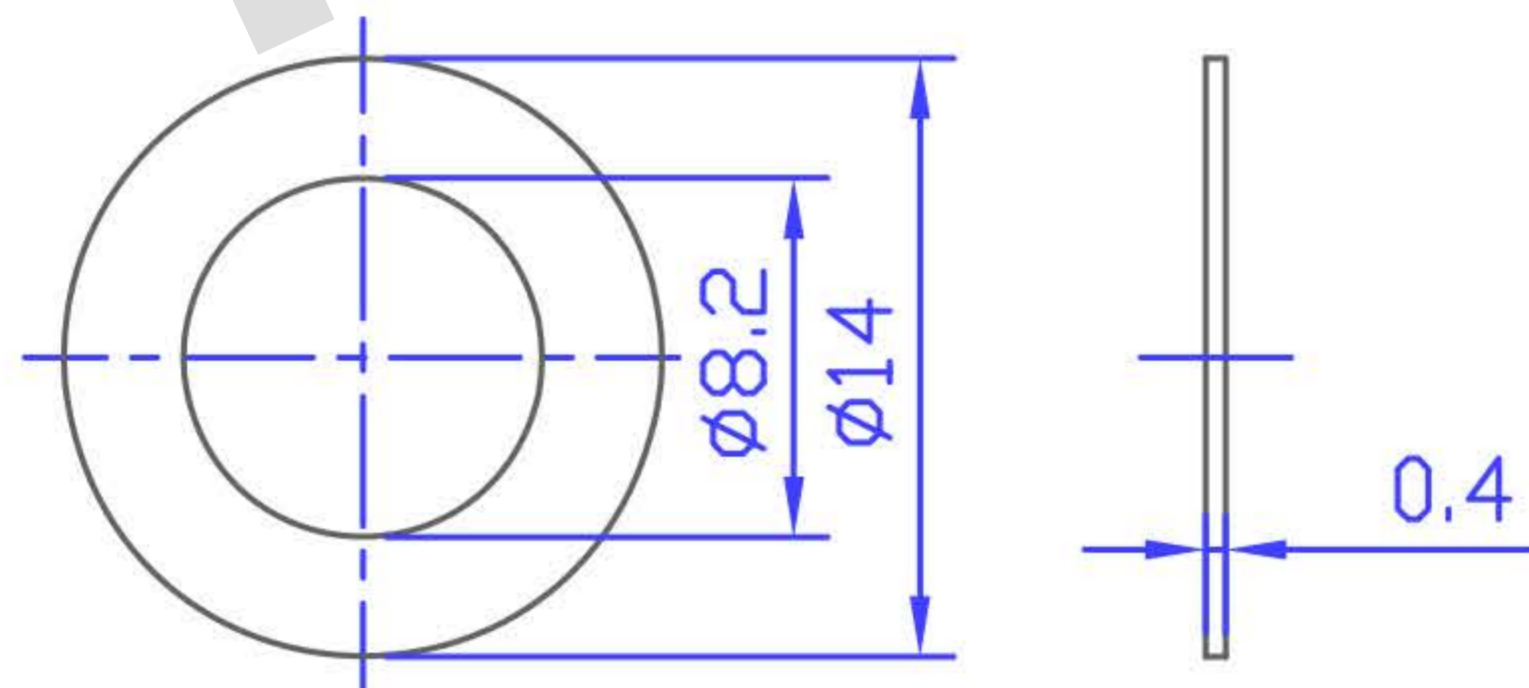
| | |
|-----------|------|
| ????±???? | |
| 10?? | ±0.3 |
| 10~100 | ±0.5 |
| 100?? | ±0.8 |
| ? ? | ±5° |

機種名稱后加"-1", 表示軸套無擋!

选购件：螺帽



选购件：垫片



| MTL | | SPEC | | DISPOSAL | | 惠州市弘旺电子有限公司 | |
|----------|------------------------|------|----------|----------|--------|------------------------|-------------------------|
| APPROVAL | | △5 | | | | SCALE: 2 / 1 | TITLE DB-P24K Series |
| CHECK | | △4 | | | | UNIT: MM | DWG NAME DB-P24KNP 15KQ |
| DRAWN | YANGYONG 2021.03.08 | △3 | | | | DWG NO. DB-P24K-02-001 | |
| | | △2 | | | | | |
| | | △1 | DEVISION | DATE | DESIGN | | |