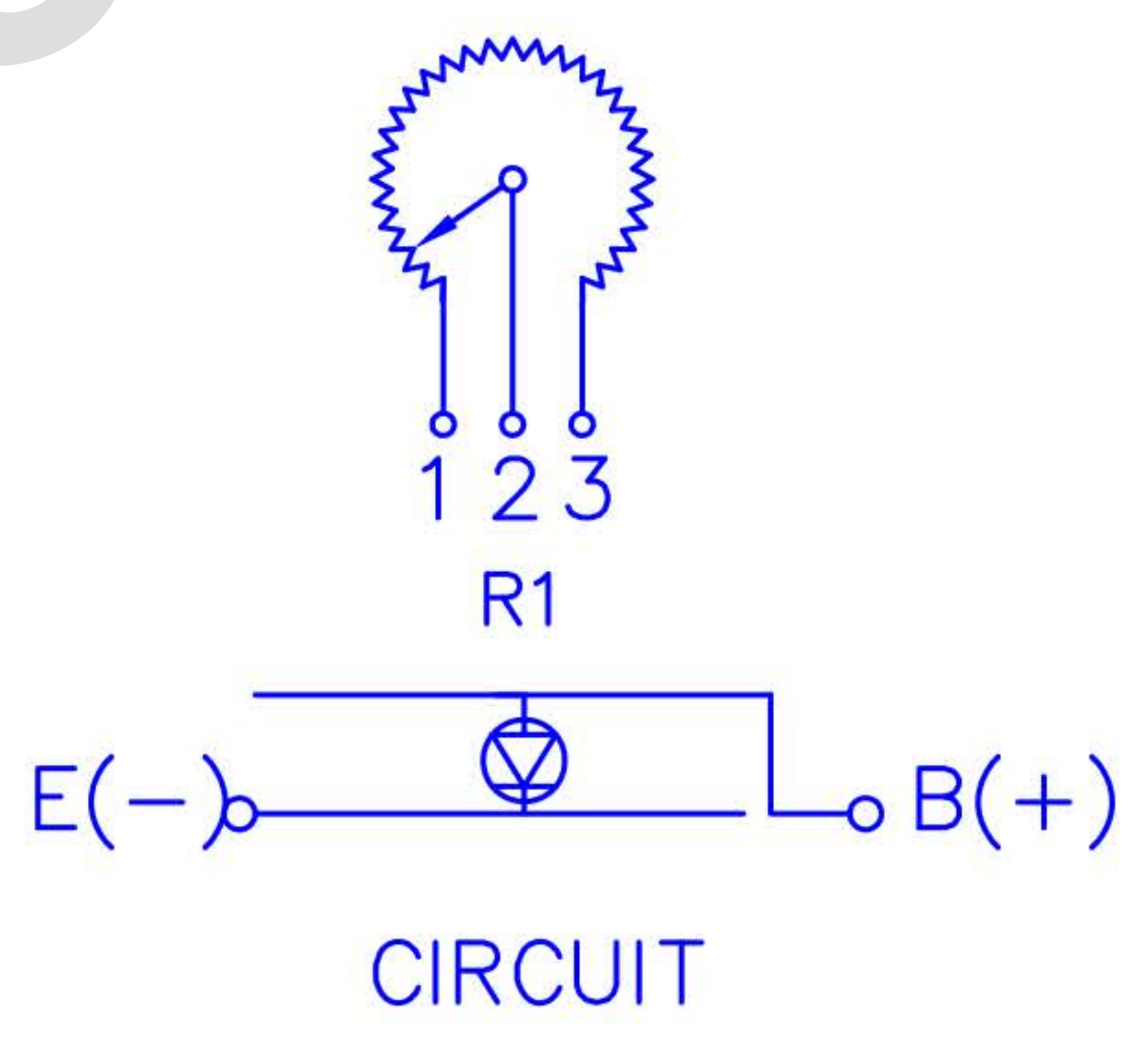
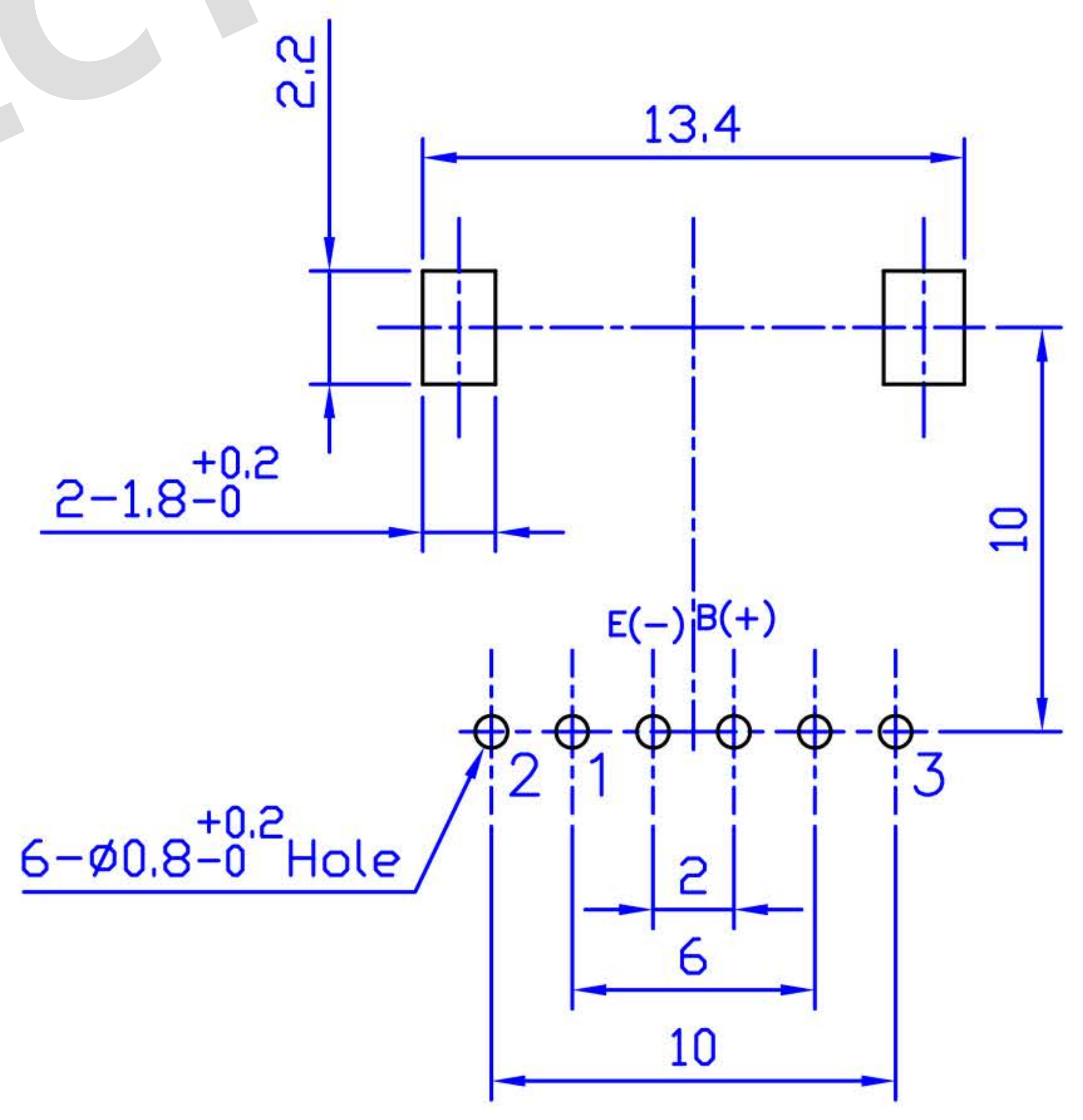


CIRCUIT



CIRCUIT

惠州市弘旺电子有限公司

MTL		SPEC		DISPOSAL		UNIT		SCALE		TITLE	
						MM ³ / 1		3 / 1		DB-122K Series	
⑤				④		DRAWN		DESIGN		DWG NAME	
③				②						DB-122KEP	
①				①						DWG NO.	
DEVISION	DATE	DESIGN									