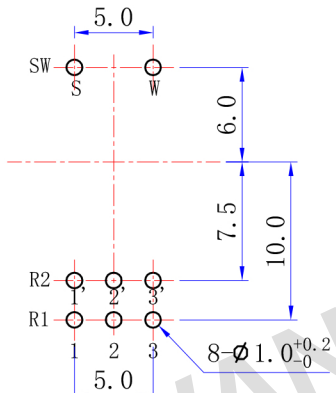
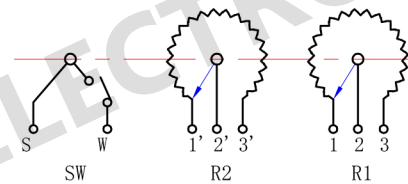


SHAFT SHOWN IN FULL
C. C. W. POSITION

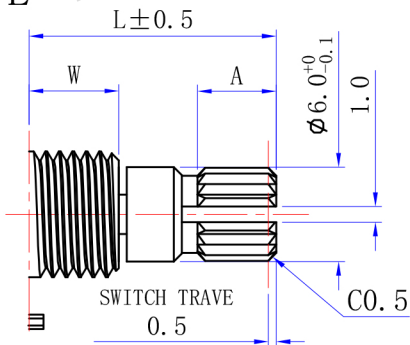


P. C. B. MOUNTING
HOLE DETAIL



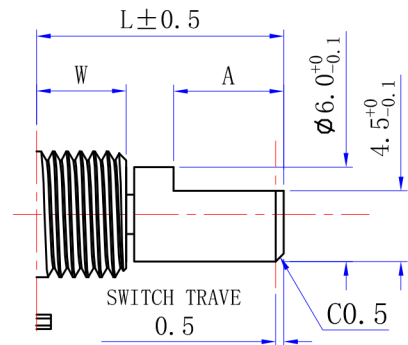
CIRCUITS

YC-TYPE



L	10	12	15	20	25	30
W	5	5	5	7	7	7
A	3.5	4	6	7	12	12

FC-TYPE



L	10	12	15	20	25	30
W	5	5	5	7	7	7
F	4	4	7	12	12	12

惠州市弘旺电子有限公司



DESIGN

MODEL RV0972GSTR-F2

VERSION

A

TOLERANCE

DRAWING NO

CPT-RV097-048

SCALE

1:1

$L \leq 10$

± 0.3

APPROVAL

CHECK

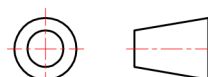
DRAWN

UNIT

mm

$10 < L \leq 10$

± 0.5



$100 \leq L$

± 0.8

ANGULAR

$+ 5^\circ$