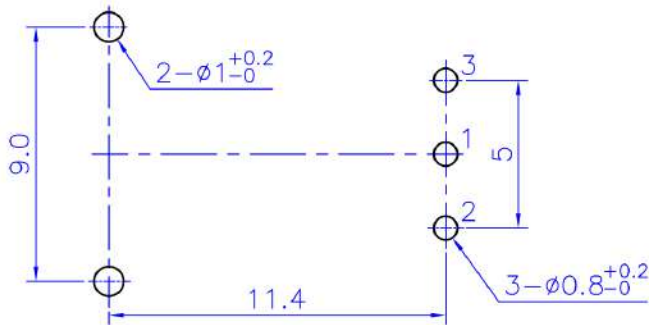
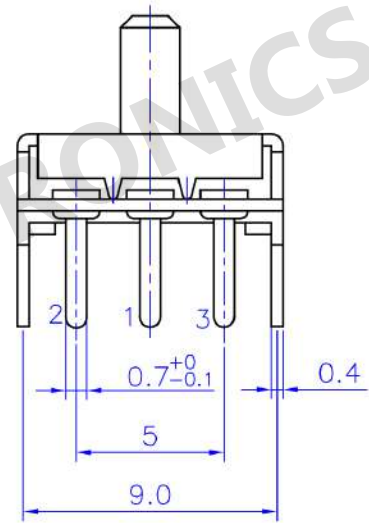
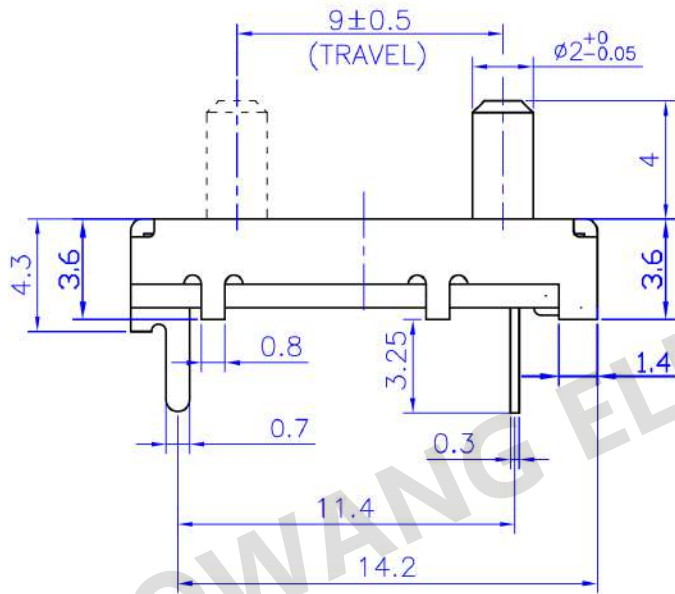


CIRCUIT



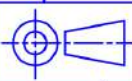
P.C.B MOUNTING HOLE DETAIL

惠州市弘旺电子有限公司

MTL

SPEC

DISPOSAL



UNIT

SCALE
MM 4 / 1

TITLE DB-MICROMIN Series

DRAWN DESIGN CHECK APPROVAL

DWG NAME DB-102N

DWG NO.

DEVISION DATE DESIGN