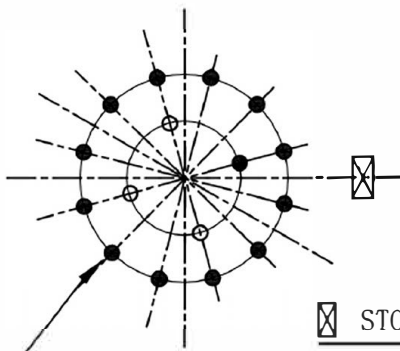
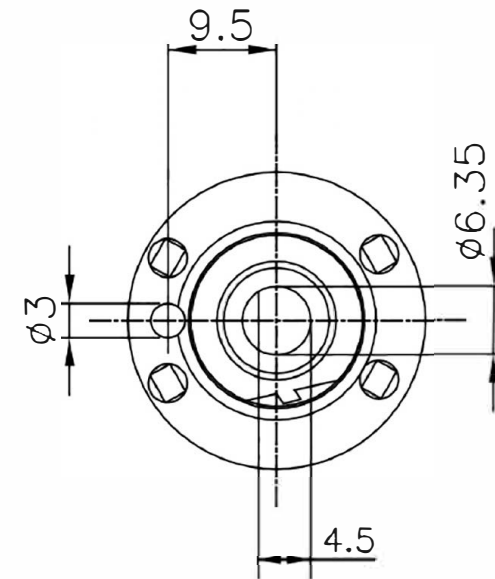
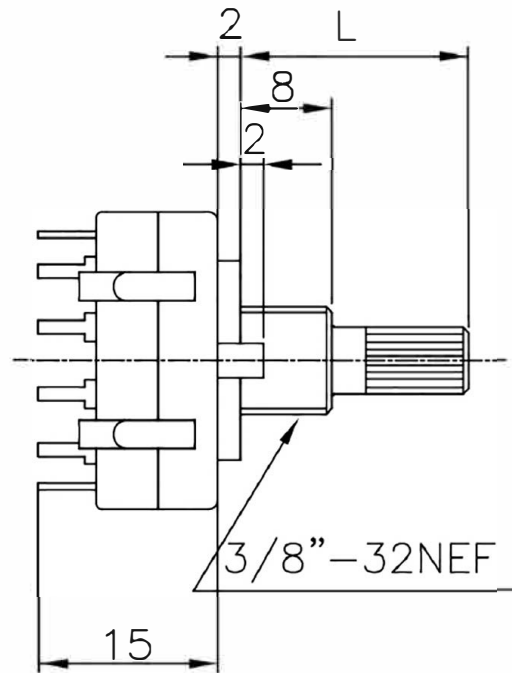
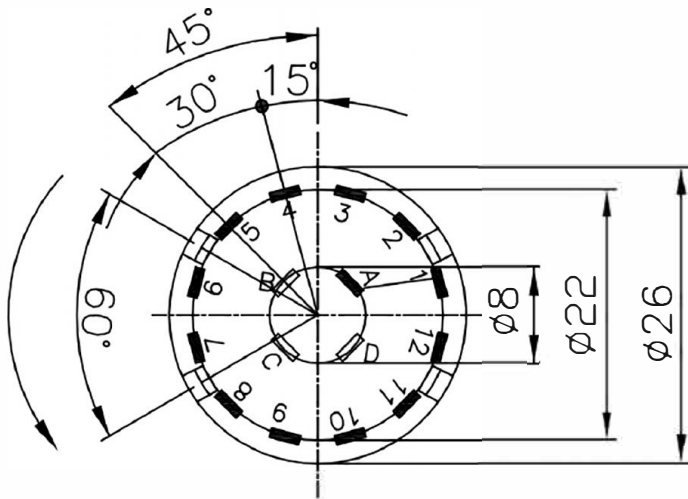


DIRECTION OF ROTATION



☒ STOPPER
P.C.B MOUNTING HOLE

13- $\phi 1.4$ HOLES

Rating: 125V AC 0.3A
Timing: Shorting
CHANGEOVER ANGLE=30°

ORDER NO.	SW. FUNCTION	ORDER NO.	SW. FUNCTION
RS26-1-1-2	SP 2 POS.	RS26-1-2-2	DP 2 POS.
RS26-1-1-3	SP 3 POS.	RS26-1-2-3	DP 3 POS.
RS26-1-1-4	SP 4 POS.	RS26-1-2-4	DP 4 POS.
RS26-1-1-5	SP 5 POS.	RS26-1-2-5	DP 5 POS.
RS26-1-1-6	SP 6 POS.	RS26-1-2-6	DP 6 POS.
RS26-1-1-7	SP 7 POS.	RS26-1-3-2	3P 2 POS.
RS26-1-1-8	SP 8 POS.	RS26-1-3-3	3P 3 POS.
RS26-1-1-9	SP 9 POS.	RS26-1-3-4	3P 4 POS.
RS26-1-1-10	SP 10 POS.	RS26-1-4-2	4P 2 POS.
RS26-1-1-11	SP 11 POS.	RS26-1-4-3	4P 3 POS.
RS26-1-1-12	SP 12 POS.		

未指定容许公差尺寸

less than	10	± 0.3
above	10 ~ 30	± 0.5
above	30 ~ 100	± 1.0
above		$\pm 5^\circ$

	惠州市弘旺电子有限公司	机种	RS26-1-1-12-(L)F-P			
		单位	比例	核准	校对	制图
		mm		蔡斌		周湘丽
日期	更改记事					