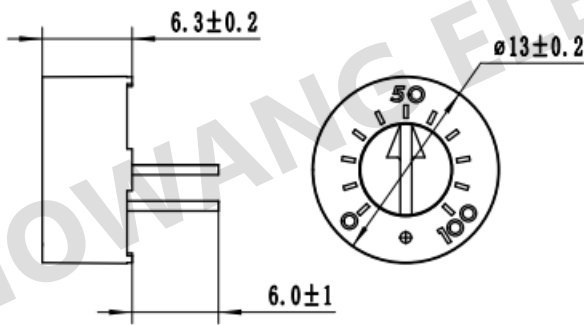
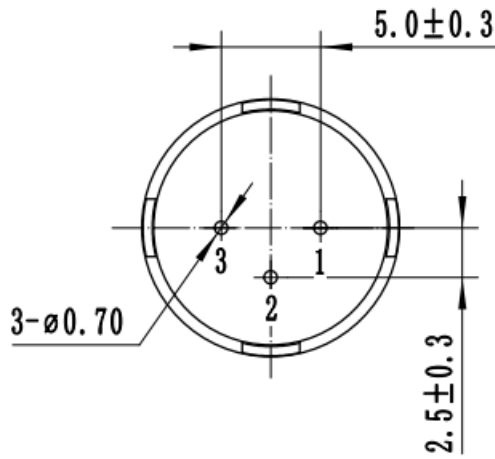
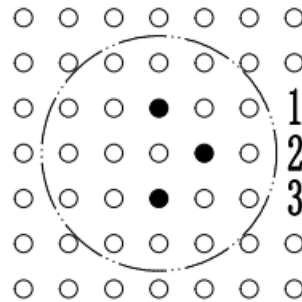


93PR型



PCB板孔距2.5



			<p>惠州市弘旺电子有限公司</p> <p>HUIZHOU HOWANG ELECTRONICS CO., LTD</p>			
MTL		SPEC		DISPOSAL		
△5				UNIT	SCALE	TITLE:
△4				MM	2 / 1	DB-93PR Series
△3			DRAWN	DESIGN	CHECK	APPROVAL
△2			谭超	张琼	胡平华	
△1						DWG NO.:
DEVISION	DATE	DESIGN				F-93PR-06-16