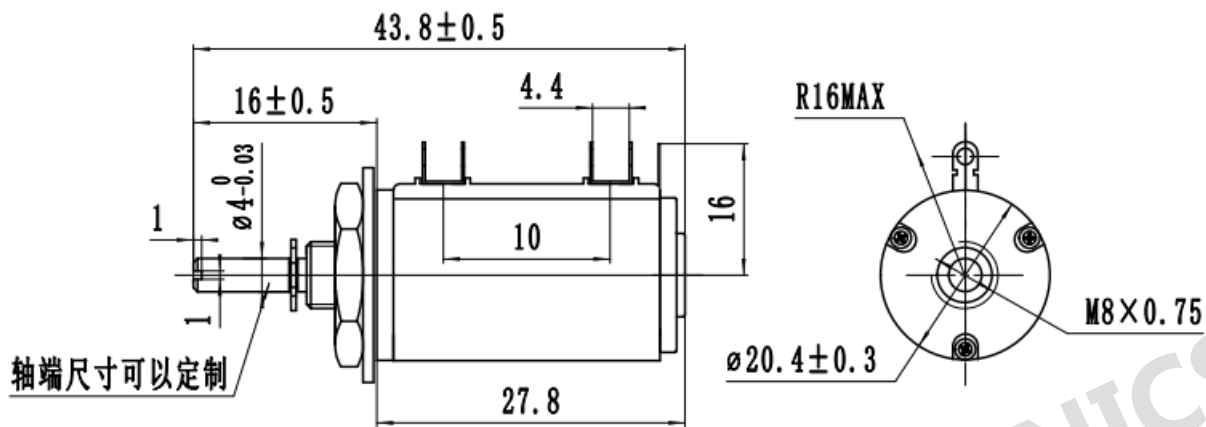
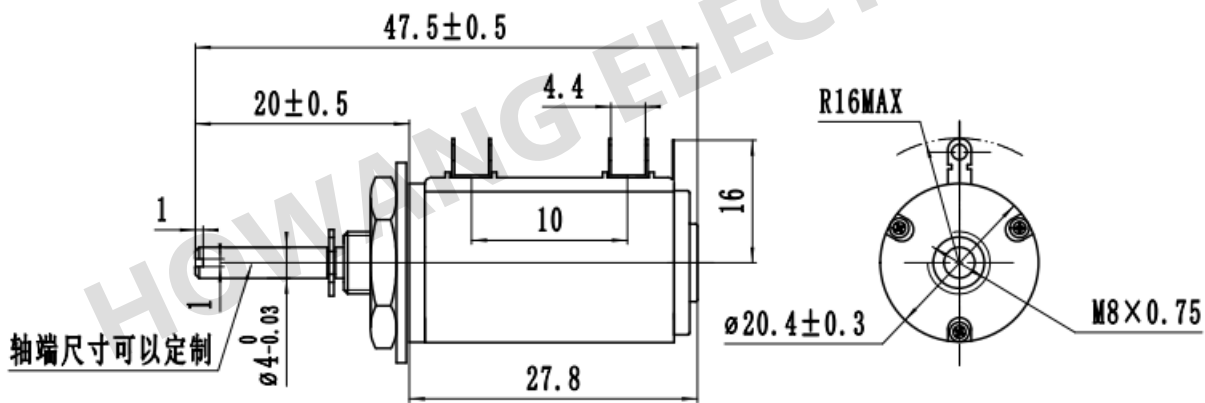


WXD3-12-16MM



WXD3-12-20MM



						惠州市弘旺电子有限公司	
MTL		SPEC		DISPOSAL		HUIZHOU HOWANG ELECTRONICS CO., LTD	
△5				UNIT	SCALE	TITLE:	
△4				MM	2 / 1	DB-WXD3 Series	
△3			DRAWN	DESIGN	CHECK	APPROVAL	DWG NAME:
△2			谭超	张琼	胡平华		DB-WXD3-12
△1							DWG NO.:
DEVISION	DATE	DESIGN					F-WXD3-11-09