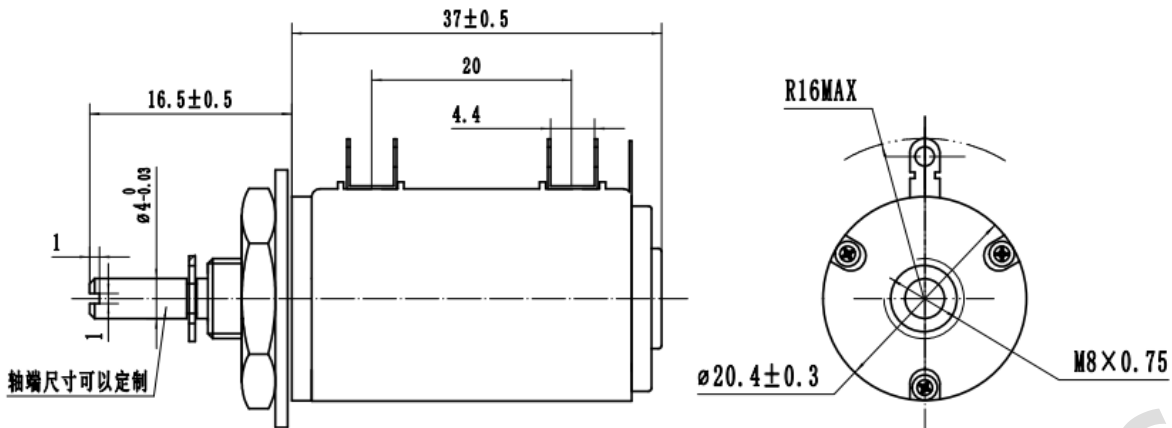
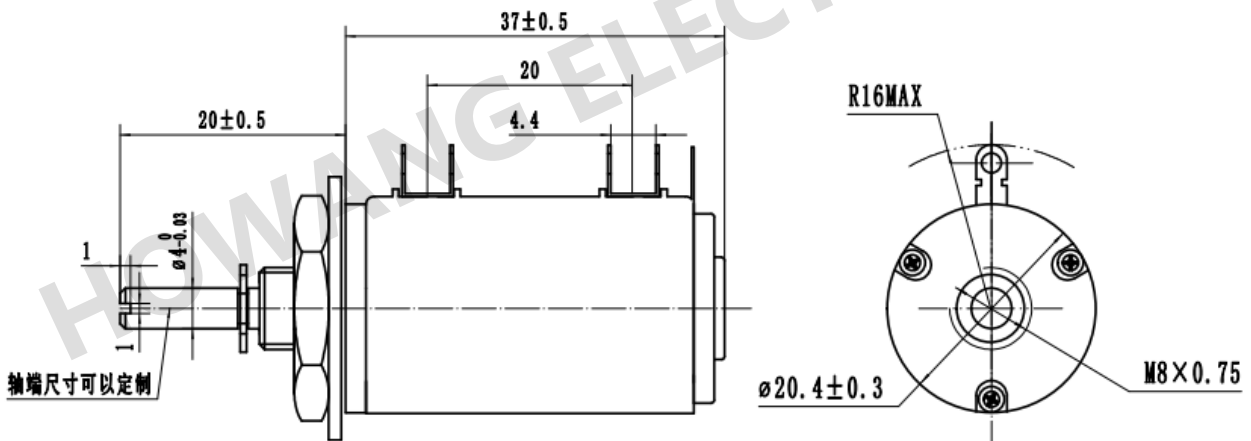


WXD3-13-16MM



WXD3-13-20MM



						<p>惠州市弘旺电子有限公司</p> <p>HUIZHOU HOWANG ELECTRONICS CO., LTD</p>	
MTL		SPEC		DISPOSAL			
⑤				UNIT	SCALE	TITLE:	
④				MM	2 / 1	DB-WXD3 Series	
③			DRAWN	DESIGN	CHECK	APPROVAL	DWG NAME:
②			谭超	张琼	胡平华		DB-WXD3-13
①							DWG NO.:
DEVISION	DATE	DESIGN					F-WXD3-11-30