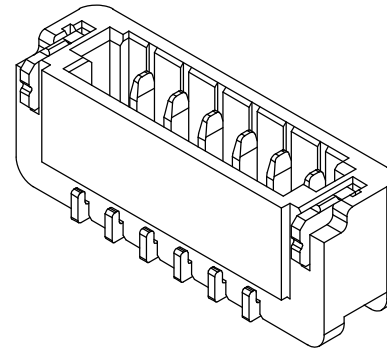
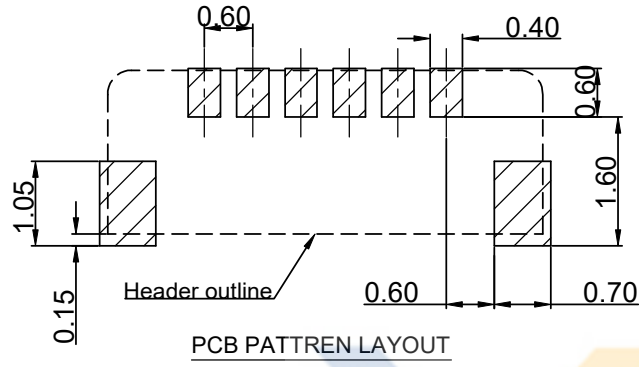


# DRAWING FOR CUSTOMER

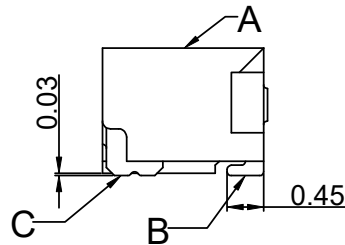
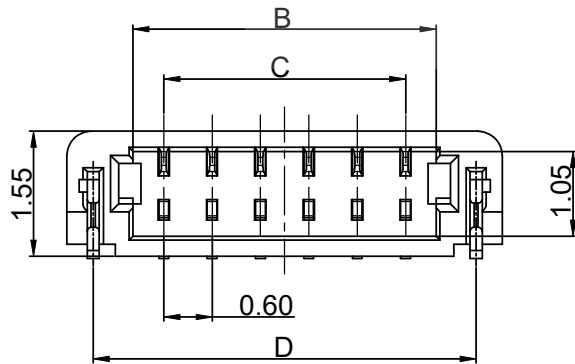
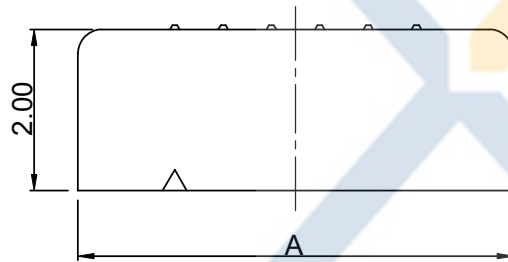
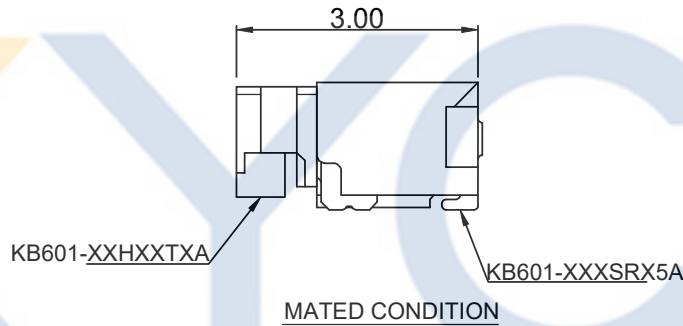


- SPEC.:
- Rated Voltage:30V AC,DC
  - Rated Current:0.2A AC,DC(AWG #36)  
0.3A AC,DC (AWG #34)
  - Withstand Voltage:200V AC/minute
  - Contact Resistance:30mΩ max
  - Insulation Resistance:100MΩ min
  - Temperature Range:-25℃~+85℃

- Material:
- Insulators(A):High Temperature Plastic UL94-V0
  - Contact Pin(B): Copper Alloy  
Finish: Tin-Plated/Gold-Plated,over Nickel
  - Solder Tab(C):Brass  
Finish: Tin-Plated,over Nickel

KB601-XX X X S R X 5 A

Pin No.	Version
P:PE 袋装	Mold No.
R:REEL 卷装	G:Gold Plated
T:TUBE 管装	S:Tin Plated
S:SMT	R:Right Angle
D:DIP	V:Verical Angle



Poles	Dimensions(mm)			
	A	B	C	D
2	3.00	1.36	0.60	2.35
4	4.20	2.56	1.80	3.55
6	5.40	3.76	3.00	4.75
7	6.00	4.36	3.60	5.35
8	6.60	4.96	4.20	5.95
10	7.80	6.16	5.40	7.15
12	9.00	7.36	6.60	8.35
14	10.20	8.56	7.80	9.55
16	11.40	9.76	9.00	10.75

**XYCO** 东莞市轩业电子科技有限公司  
TEL: 0769-8297 9981/2/3 http://www.XYCO.com.cn

2016-08-22	A		KB601-XXXSRX5A	Devin
DATE 日期	VER 版本	CHANGE HISTORY 變更歷史	CHANGED NAME 修改後料號	DRAWING 變更者

TOLERANCE 公差	DRAWING 設計者	Devin	KB601-XXXSRX5A	
.X=±0.30 .XX=±0.20 .XXX=±0.10	CHECKED 審查	Leo Li	PART NO. 料號	
	APPROVED 核准	William	DWG NO. 圖號	PE160809A

UNIT 單位	mm	PRODUCT NAME 產品名稱	XSR PH0.6mm Wire To Board SMT Right Angle Wafer
------------	----	----------------------	--