

DRAWING FOR CUSTOMER

KB501-XX X S R 4 A

Pin No.

包装方式:

T:TUBE (管装)

R:REEL (卷装)

P: PE (袋装)

Version

Mold No.

R:Right Angle

V:Vertical

S:SMT

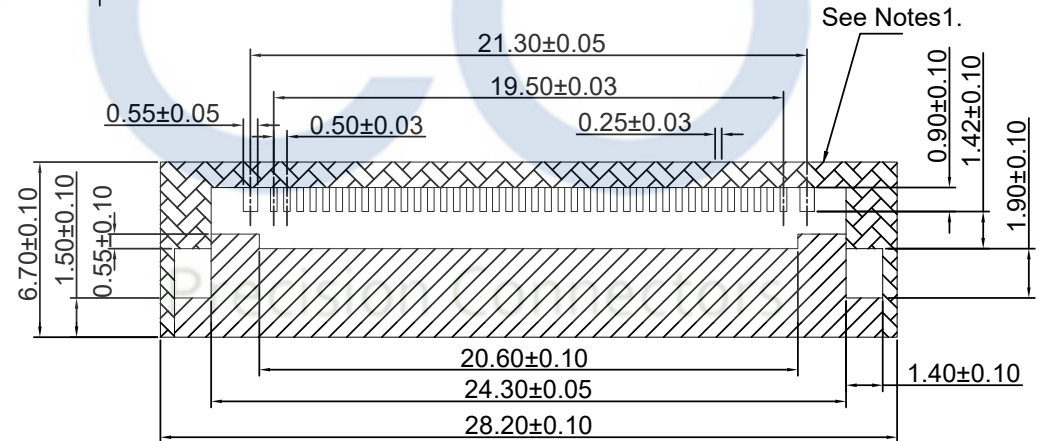
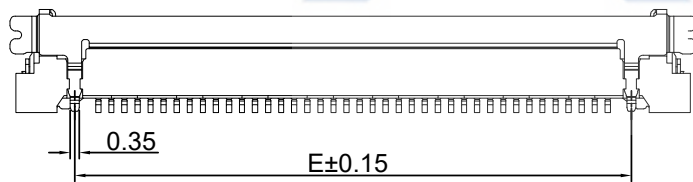
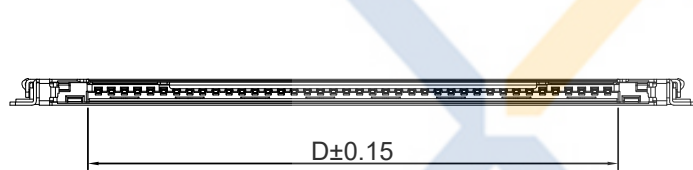
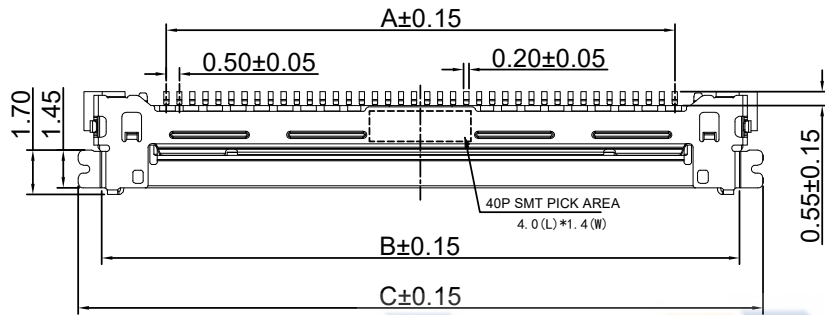
D:DIP

■SPEC.:

- Rated Voltage:100V AC,DC
- Rated Current:1A AC,DC
- Withstand Voltage:250V AC/minute
- Contact Resistance:50mΩ max
- Insulation Resistance:1000MΩ min
- Temperature Range:-40℃~+85℃

■Material:

- Insulator:LCP UL94V-0,Black
- Contact Pin:Copper Alloy
Finish:Gold-plated,over Nickel
- Shell:Copper Alloy
Finish:Gold-plated,over Nickel
- 1.In case of plug with pull-bar,This area cannot mount another components



Poles	A	B	C	D	E
30	14.50	19.47	21.25	15.31	16.30
40	19.50	24.47	26.25	20.31	21.30

RECOMMENED P.C.B LAYOUT

XYCO 东莞市轩业电子科技有限公司
TEL: 0769-8297 9981/2/3 <http://www.XYCO.com.cn>

2013-03-04		A			KB501-XXXSR4A	Devin	KB501-XXXSR4A		PART NO. 料號		UNIT 單位	mm	PRODUCT NAME 產品名稱	20454 XXP PH0.5mm Wire To Board
DATE 日期	VER 版本	CHANGE HISTORY 變更歷史	CHANGED NAME 修改後料號	DRAWING 變更者	TOLERANCE 公差 .X=±0.30 .XX=±0.20 .XXX=±0.10	DRAWING 設計者 Devin	CHECKED 審查 Leo Li	DWG NO. 圖號	PE0909A	mm	mm	mm	SMT Right Angle Wafer	
1	2	3	4	5	6	7	8	9	10	11	12	13	14	