



## 产品规格书

### PRODUCT SPECIFICATION

【型号/Model:RL-3838RGBD13.5GF05-170°】

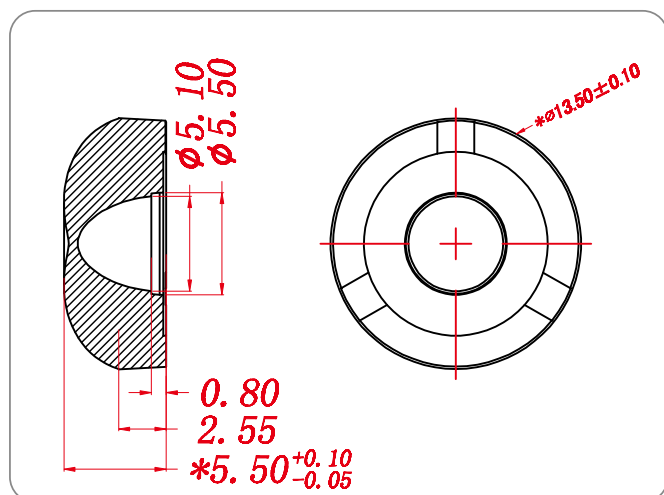
#### 产品图片 Product picture



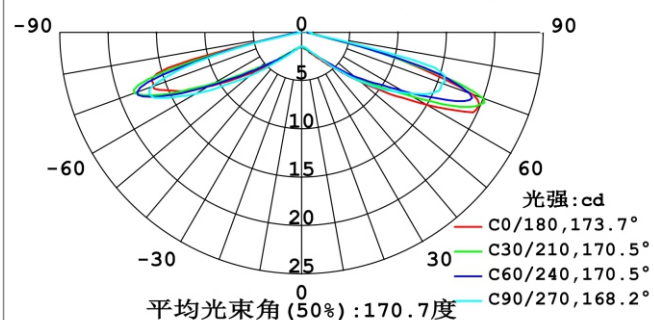
#### 规格参数 Specification parameters

直径×高度(Dimension×Height)	13.50x5.50 MM
材质(Material)	光学级PMMA(Grade PMMA)
光束角度(Beam Angle)	170°
透光率(Lens Transmission)	93%
标准(CoD)	SGS/ROHS
适配光源(Matched LED)	3838
适用于(Application)	专配 <b>3838</b> 灯珠吸顶灯 Transfer to 3838 LED Ceiling Light
产品优势(Product advantage)	发光角度大、光效好、无黄斑、无暗区、照度高。 Large luminous angle, good lighting effect, no yellow spots, no dark areas, and high illumination.

#### 产品尺寸图 Product Size



#### 光曲线图 Light curve



远方GO-R2000系统分布光度计测试  
Remote GO-R2000 system distribution photometer test

<http://www.runlianlens.com>

商城: <http://runlian2014.1688.com>

<http://rlzm888.1688.com>