



## 产品规格书

### PRODUCT SPECIFICATION

【型号/Model: RL-2835TVD13.5GH02-180°】

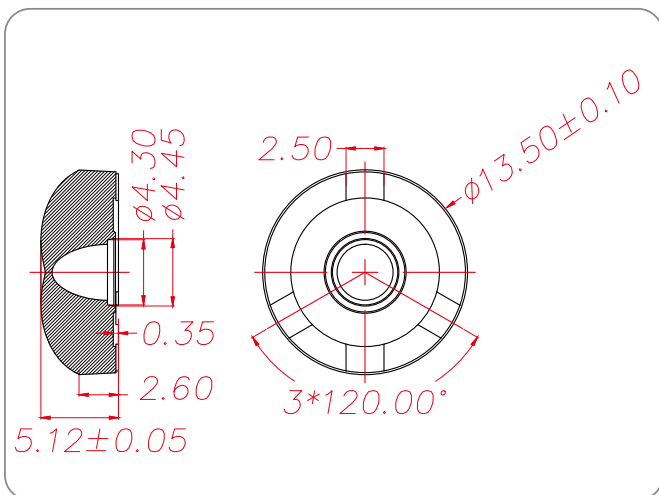
#### 产品图片 Product picture



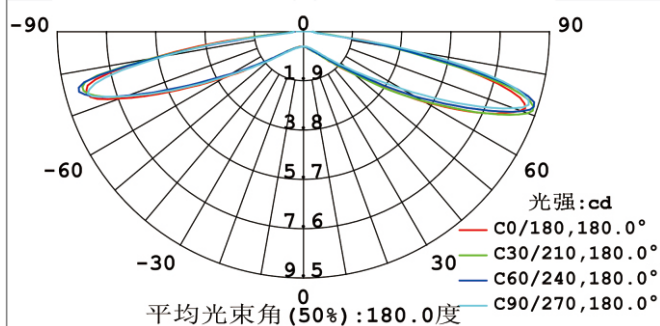
#### 规格参数 Specification parameters

直径×高度(Dimension×Height)	13.50x5.12MM
材质(Material)	光学级PMMA(Grade PMMA)
光束角度(Beam Angle)	180°
透光率(Lens Transmission)	93%
标准(CoD)	SGS/ROHS
适配光源(Matched LED)	3030/2835
适用于(Application)	电视背光、面板灯背光、吸顶灯、漫反射灯条等 TV backlight, panel lamp backlight, ceiling lamp, diffuse reflector lamp, etc.
产品优势(Product advantage)	发光角度大、光效好、无黄斑、无暗区、照度高。 底部有三个排气孔，有利于灯珠散热。 Large light-emitting angle, good light efficiency, no macula, no dark area, high illumination. There are three exhaust holes at the bottom, which helps to dissipate heat from the lamp beads.

#### 产品尺寸图 Product Size



#### 光曲线图 Light curve



远方GO-R2000系统分布光度计测试  
Remote GO-R2000 system distribution photometer test

<http://www.runlianlens.com>

商城: <http://runlian2014.1688.com>

<http://rlzm888.1688.com>