



产品规格书

PRODUCT SPECIFICATION

【型号/Model:RL-2835TVD13.5P-180°】

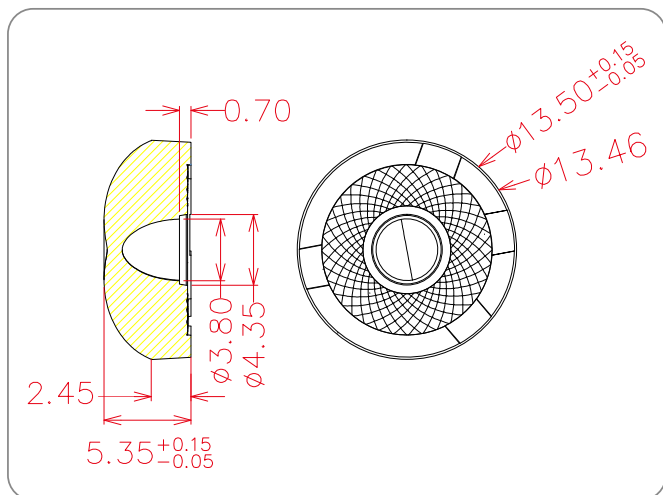
产品图片 Product picture



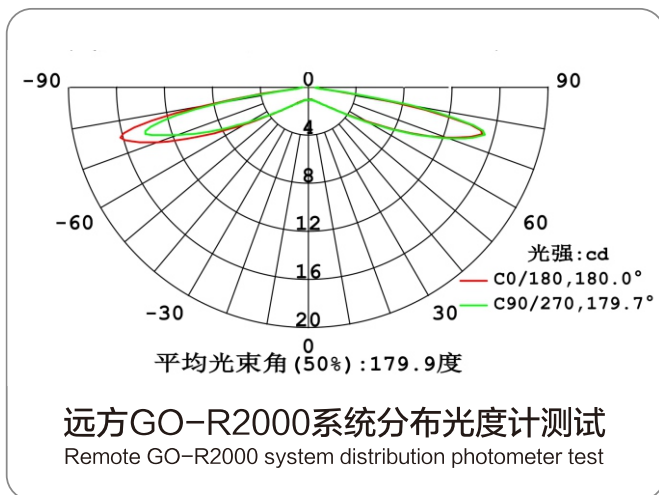
规格参数 Specification parameters

直径×高度(Dimension × Height)	13.50x5.35 MM
材质(Material)	阻燃光学级PC(Grade PC)
光束角度(Beam Angle)	180°
透光率(Lens Transmission)	88%
标准(CoD)	SGS/ROHS
适配光源(Matched LED)	2835/3030
适用于(Application)	专配 阻燃要求 的面板灯 Dedicated to panel lights
产品优势(Product advantage)	钻石条纹面，大气美观。发光角度大、光效好、无黄斑、无暗区、照度高。面板灯效果更佳。 Diamond striped surface, grand and beautiful. Large luminous angle, good lighting effect, no yellow spots, no dark areas, and high illumination. The effect of panel lights is better.

产品尺寸图 Product Size



光曲线图 Light curve



<http://www.runlianlens.com>