



产品规格书

PRODUCT SPECIFICATION

【型号/Model:RL-2835D11.5P02-170°】

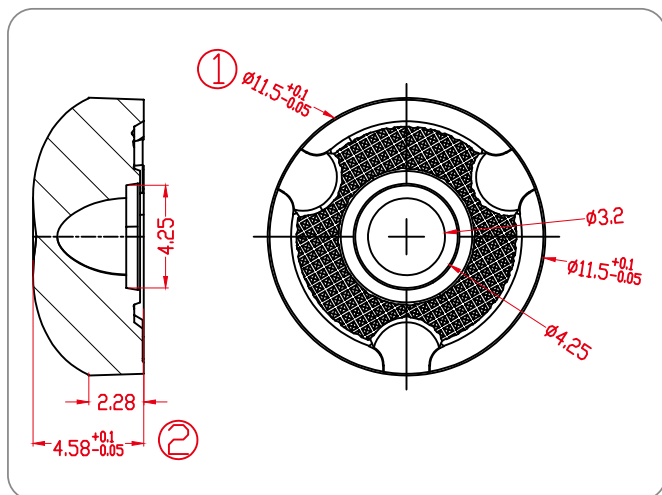
产品图片 Product picture



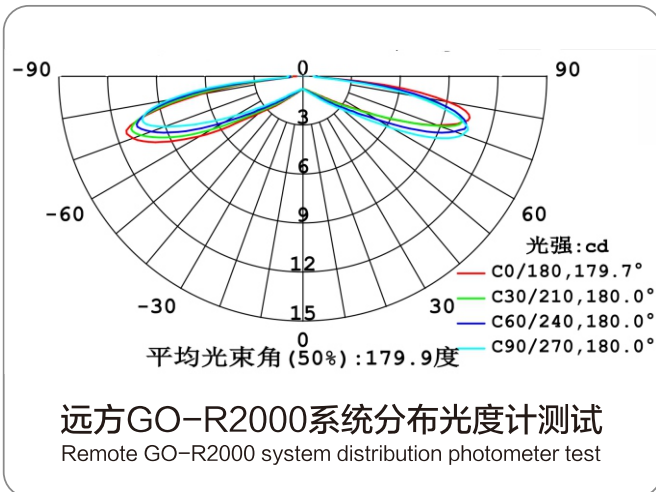
规格参数 Specification parameters

直径×高度(Dimension×Height)	11.50x4.58 MM
材质(Material)	光学级PC(Grade PC)
光束角度(Beam Angle)	170°
透光率(Lens Transmission)	88%
标准(CoD)	SGS/ROHS
适配光源(Matched LED)	2835/3030
适用于(Application)	3公分面板灯、吸顶灯、漫反射灯条等 TV backlight, panel lamp backlight, ceiling lamp, diffuse reflector lamp, etc.
产品优势(Product advantage)	4条3公分面板灯专用；发光角度大、光效好、无暗区。 4 strips of 3 cm panel lights dedicated; Large luminous angle, good luminous effect and no dark area.

产品尺寸图 Product Size



光曲线图 Light curve



<http://www.runlianlens.com>

商城: <http://runlian2014.1688.com>

<http://rlzm888.1688.com>